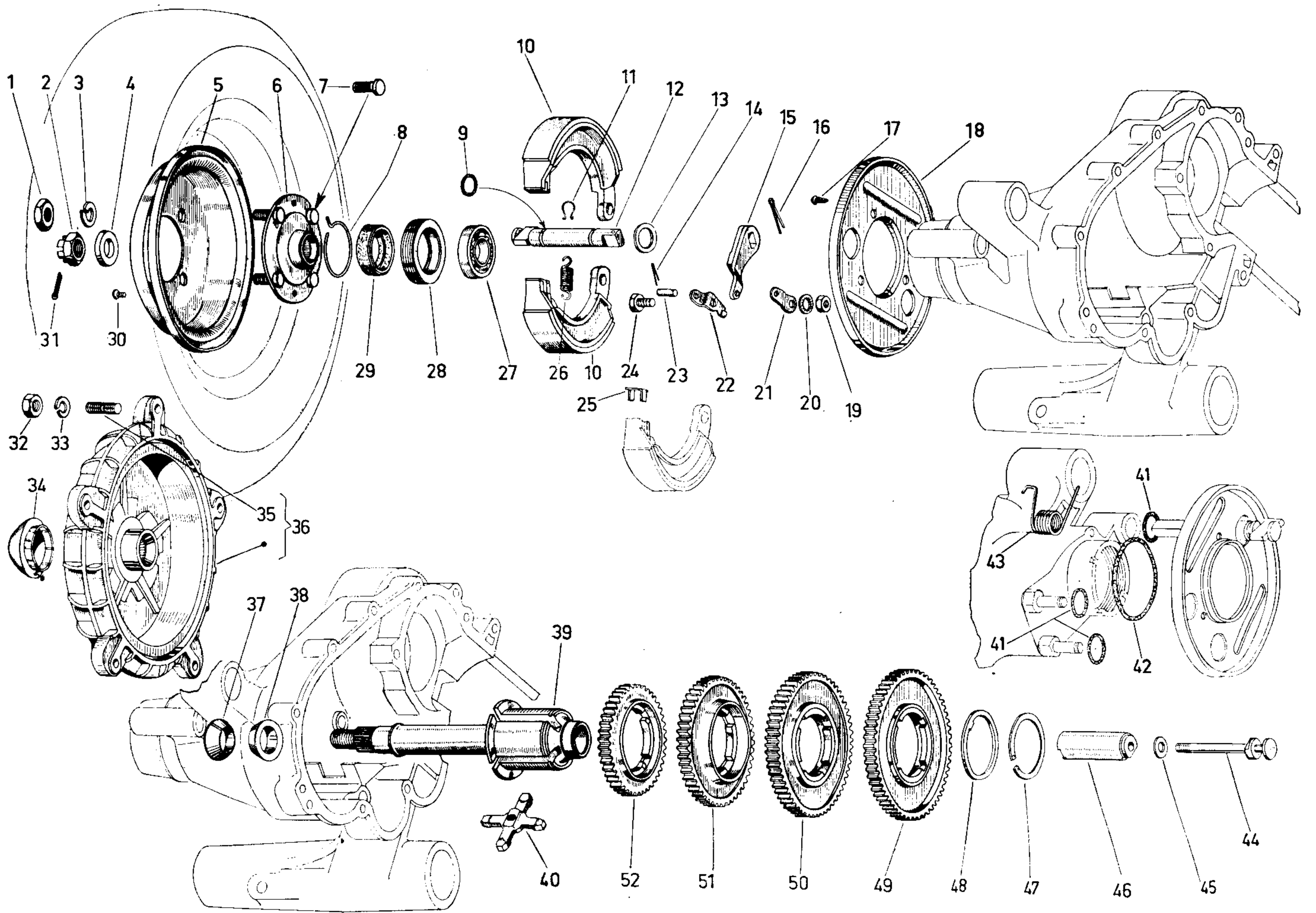


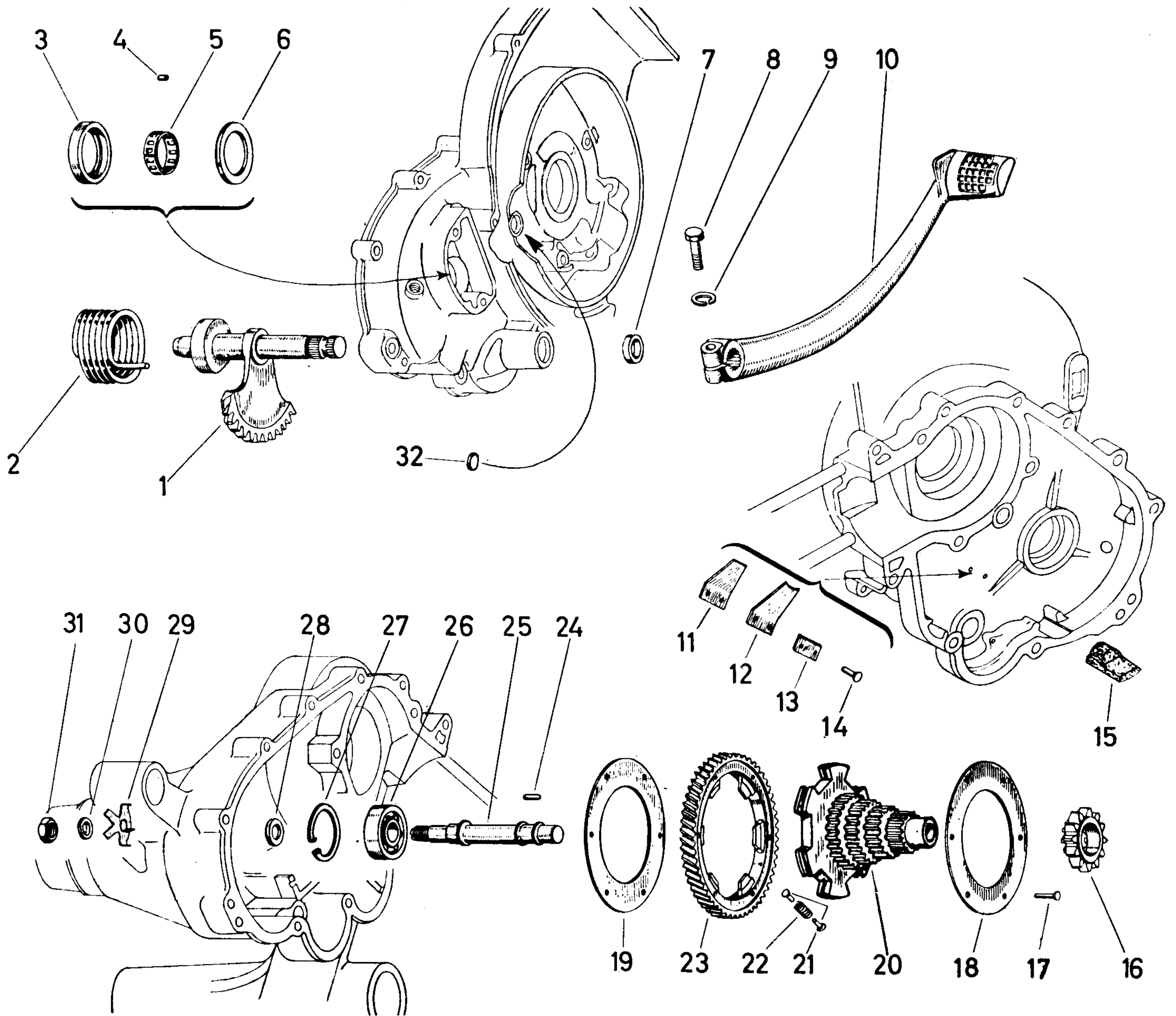
LAMINA 2:





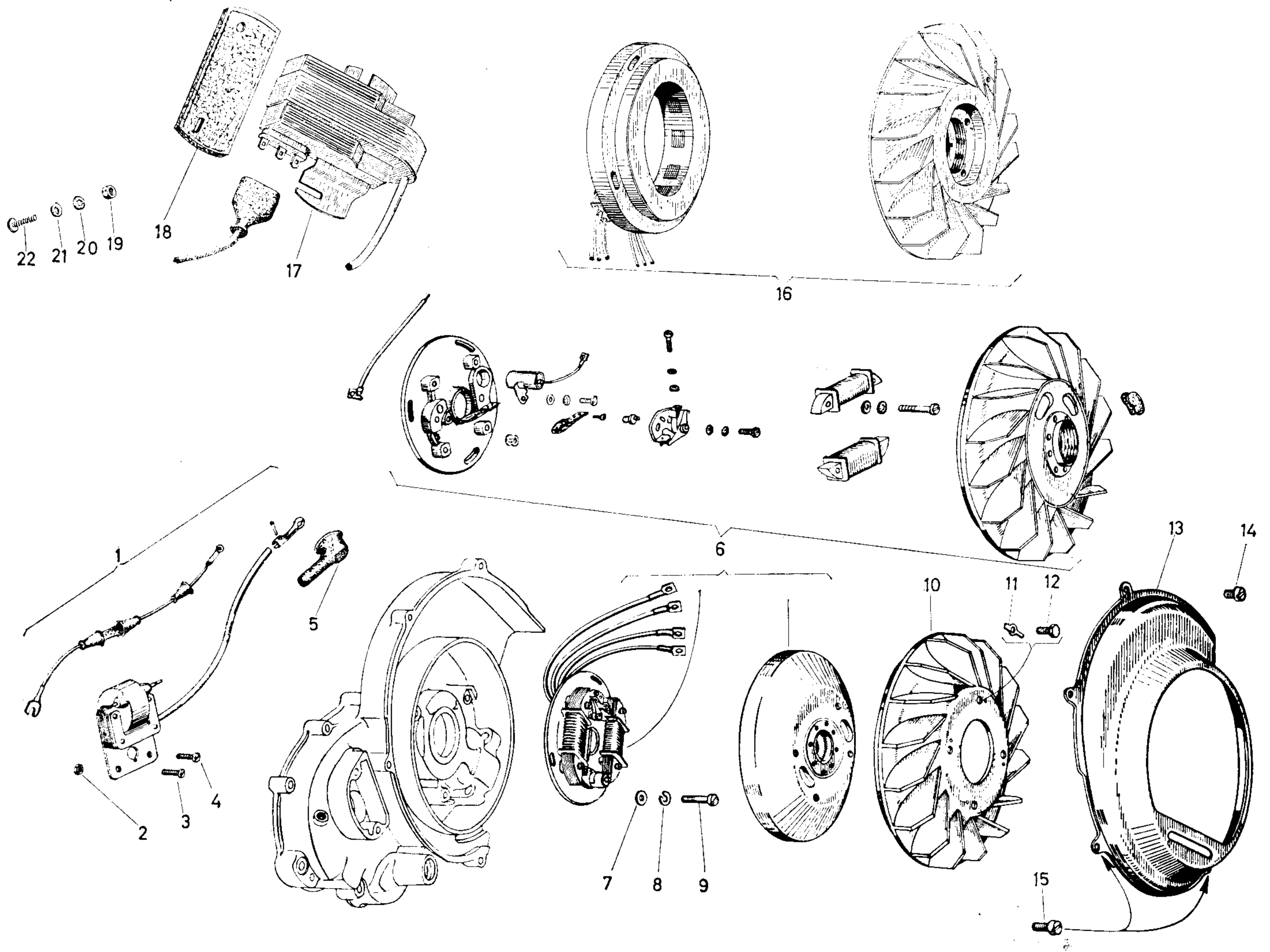
LAMINA 3:





LAMINA 4:





LAMINA 5:

